



StressCrete Limited

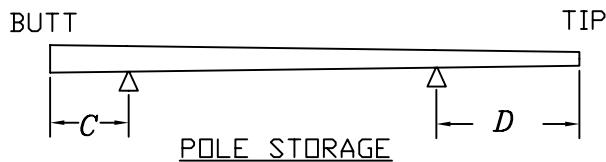
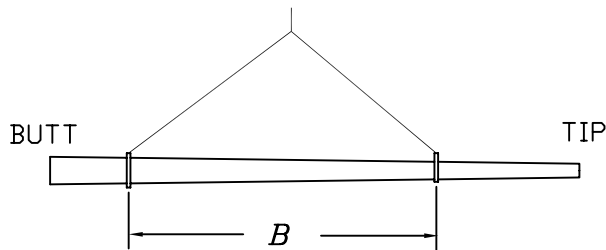
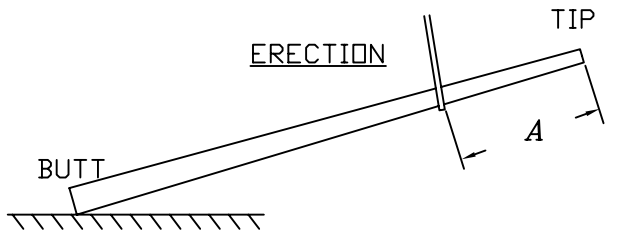
840 WALKER'S LINE, P.O. BOX 7
 BURLINGTON, ONTARIO CANADA L7R 3X9
 TEL. 905-632-9301 / FAX 905-632-8116

IN AN EFFORT TO MINIMIZE PROBLEMS FOR US ALL,
 PLEASE READ THE INSTRUCTIONS PRINTED BELOW AND
 FOLLOW CAREFULLY WHERE APPLICABLE. THANK YOU

CAUTION !! – POLE ATTACHMENTS WITH INSERTS

ALL LIGHTING ARMS, POLE STEPS, BRACKETS ETC... MOUNTED TO
 POLE USING INSERTS, TO BE TORQUED A MAXIMUM OF 20 FT.-LBS

HANDLING INSTRUCTIONS



	POLE LENGTH UP TO 50'	POLE LENGTH BETWEEN 50 & 80'
* <i>A</i>	LOCATE ABOVE POINT OF BALANCE	20% OF DISTANCE FROM POLE TIP
*** <i>B</i>	RECOMMENDED MINIMUM 10'	MIN. 20% & UP TO 50% POLE LENGTH
** <i>C</i>	10% OF POLE LENGTH	15% OF POLE LENGTH
** <i>D</i>	25% OF POLE LENGTH	30% OF POLE LENGTH

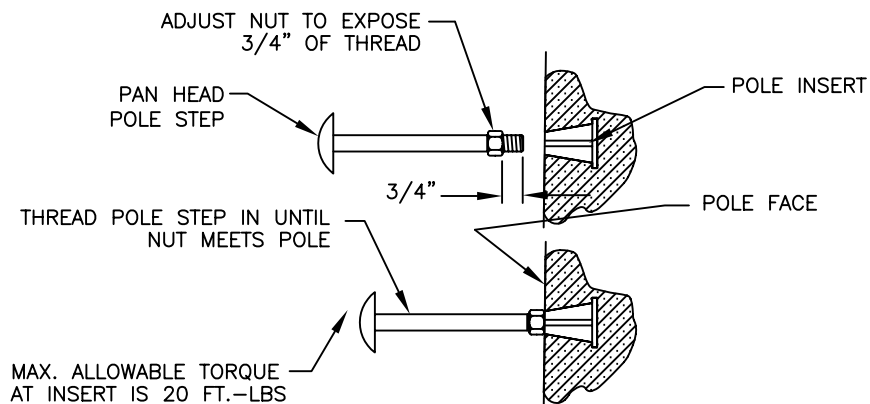
* WHEN HEAVY HARDWARE IS BEING ERECTED ON POLE, CONTACT MANUFACTURER FOR LOCATION OF TOP PICK-UP POINT

** WHEN STORING FOR ANY LENGTH OF TIME, POLES MUST BE SUPPORTED SO THAT THEY ARE NOT BENT UNDER THEIR OWN WEIGHT.

*** IDEALLY, A SPREAD OF 50% OF POLE LENGTH IS BEST FOR UNLOADING POLES OVER 50' IN LENGTH.

WHEN STORING POLES OVER 60' IT IS BEST TO ADD ADDITIONAL SUPPORTS IN BETWEEN SUPPORT POINTS LABELLED "C" & "D"

POLE STEP INSTALLATION INSTR.



MAX. ALLOWABLE TORQUE AT INSERT IS 20 FT.-LBS

REV. 05/02/94

DRAWING NO.:
102A0002