



STRATOS MINI

INTEGRAL DRIVER SPORTS LIGHT

At the heart of the Spartan Sports Lighting Assembly is the robust STRATOS Mini Sports Light. With superior performance, custom engineered optics, and multiple wattages, the STRATOS Mini Sports Light delivers uniform light levels across the field of play, ensuring the best player and fan experience.

Coupled with a pre-aimed mounting knuckle and an entirely internal wiring design, the STRATOS Mini Sports Light creates a clean solution that is easy to install for any sports field application.



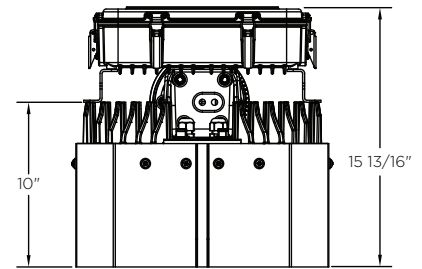
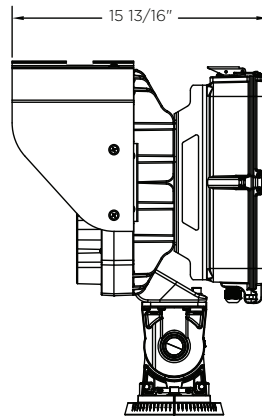
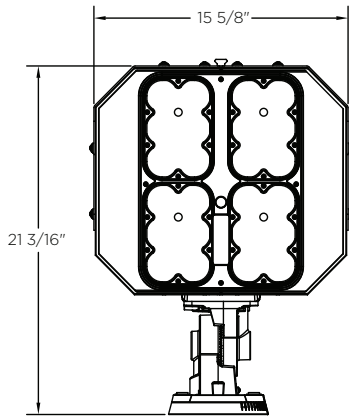
PRODUCT FEATURES

- Proprietary Spartan optics delivering 131 - 142 lm/W
- Includes a factory aimed mounting knuckle
- Integral driver enclosure
- Robust die cast aluminum housing and knuckle
- Multiple light control options
- Standard 10 year warranty
- ETL Certified

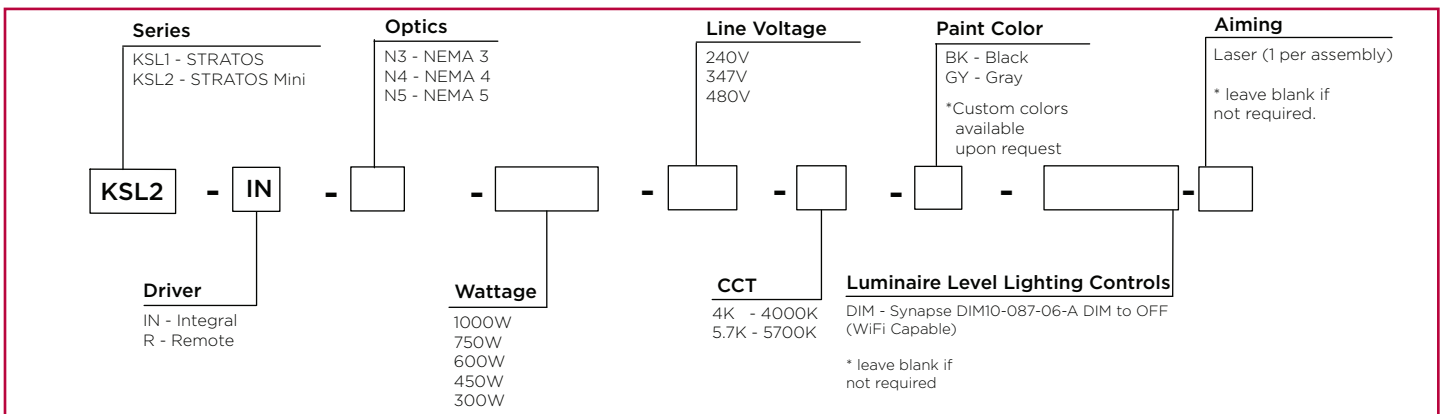
300W, 450W & 600W
Replaces up to a 1500W
Metal Halide Fixture

PRODUCT DIMENSIONS

STRATOS MINI INTEGRAL



HOW TO ORDER



PERFORMANCE DATA

	KSL2		
	STRATOS 300	STRATOS 450	STRATOS 600
Efficacy	142 lm/W	138 lm/W	131 lm/W
System Wattage	300W	450W	600W
Input Voltage	120V - 277V; 347V - 480V		
CRI (Color Rendering Index)	>70		
CCT	4000K or 5700K		
Optics	NEMA 3, NEMA 4, or NEMA 5		
Effective Projected Area (EPA)	1.9 sq. ft.		
Approximate Weight	64 lbs		
Surge Protection	20kV / 10kA		
Certification	ETL Certified		
IP Rating	IP66		

Engine

Light engine shall include an array of 24 solid state emitter clusters. The emitters shall be mounted to a single, or dual, metal core circuit board assembly. The LEDs and circuit boards shall then be mounted to a high-performance heat sink to provide dynamic airflow for cooling the system.

Optics

External light control shall consist of high precision refractive lenses mounted above the LED emitter arrays in such a way to achieve optimum control. The lenses shall distribute light to comply with a NEMA 3, NEMA 4, or NEMA 5 beam pattern.

Housing

The fixture shall consist of a cast aluminum alloy housing, enclosing the engine and manufactured with adequate thickness to give structural rigidity. The housing is available with a cast laser mount for individual fixture tilt and orientation aiming. A formed aluminum spill shield is also included as a standard option.

Mounting

Mounting knuckle shall consist of an aluminum alloy structure. The aiming range shall consist of a 90° vertical tilt with interlocking cast teeth and a 360° horizontal rotational range on a degree marked mounting plate. Lights to be factory aimed to arrive on-site ready for installation. A locking clip shall also be provided to secure the fixture and knuckle to the mounting plate during installation.

Driver

The LED universal dimmable driver will be class I and capable of 240V, 347V, or 480V input voltage, greater than 0.96 power factor, and less than 20% total harmonic distortion. The case temperature of the driver can range from -40°C up to 75°C. Each LED system comes with standard surge protection designed to withstand up to 20kV/10kA of transient line surge. An in-line ferrite choke is utilized to provide protection against EFTs. The driver assembly will be mounted in a NEMA 4X rated driver enclosure near grade.

Control

Dim-to-off controls are available on individual fixtures or used as full pole assembly shutoffs. A pre-programmed tablet or multi-button switch box is available per site.

Photometrics

Fixtures are tested to IESNA LM79 specifications. These reports are available upon request.

Chromaticity

High output LEDs come standard at 4000K & 5700K (+/- 300K) with a minimum nominal 70 CRI.

Lumen Maintenance

Reported (TM21) and Calculated (L70) reports are available upon request with a minimum calculated value of 100,000 hours.

Wiring

All internal fixture power cables shall be completed so that it will be necessary only to attach the incoming supply connectors to Mate-N-Lok connectors. Internal wire connectors shall be crimp connector only and rated at 1000V and 150°C. All wiring to be CSA certified and/or UL listed, type SFF-2, SEWF-2, or SEW-2 No. 14 gauge, 150°C, 600V, and color coded for the required voltage.

Thermals

Fixtures tested to DOE sanctioned standards to determine the maximum in-situ solder-point or junction-point temperatures of the LED emitters. This report is available upon request.

Finish

Housing is finished with a 13 step KingCoat™ super durable polyester TGIC powder coat. The standard finish is textured black. Other color options available upon request.

WARRANTY

The STRATOS Mini Sports Light comes with a 10 year limited warranty.