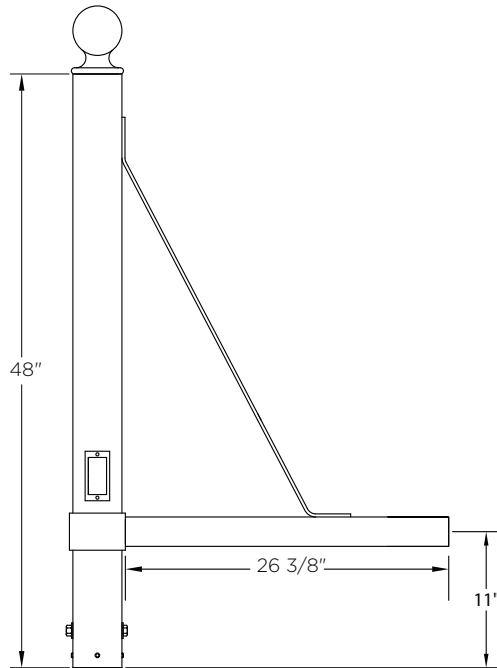


# KA54 // THE MARINA 3

DECORATIVE ARM



The King Luminaire KA54 Arm is a simple and functional design. This aluminum arm is available in single or double mounting arm configurations. The KA54 provides a straightforward solution for any street lighting project.

## ARM SPECIFICATIONS

**MATERIAL:**  
Aluminum

**MOUNTING TYPE:**  
Tenon

**ARM QUANTITY:**  
Single  
Double

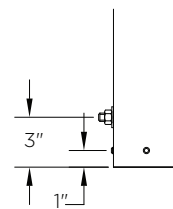
**ARM LENGTH:**  
Fixed Length

**FINISH:**  
Available in textured or smooth.

**EPA**  
2.10 - 2.63 sq. ft.

**WEIGHT**  
28 - 33 lbs

### MOUNTING TYPES:



Tenon Mount Details  
To Accept 2 1/2" (2 7/8" O.D.)  
Tenon X 6" L

### LEVELING DEVICES:



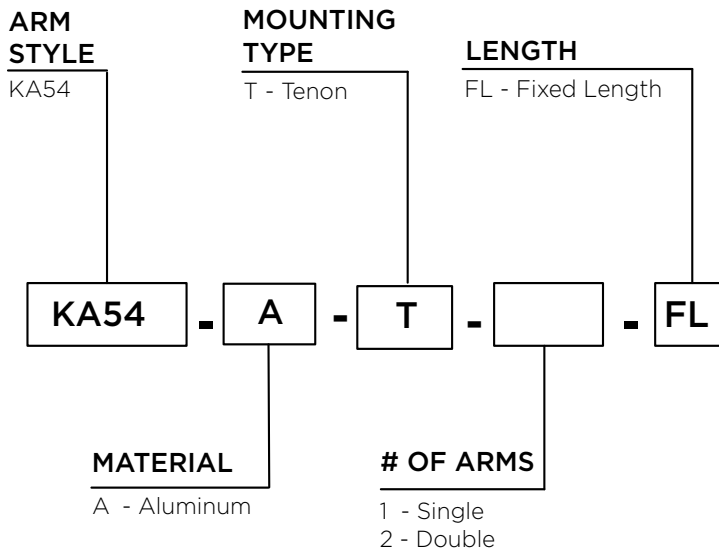
KPL20



KPL30

\*See leveling device spec sheet for more options

## HOW TO ORDER

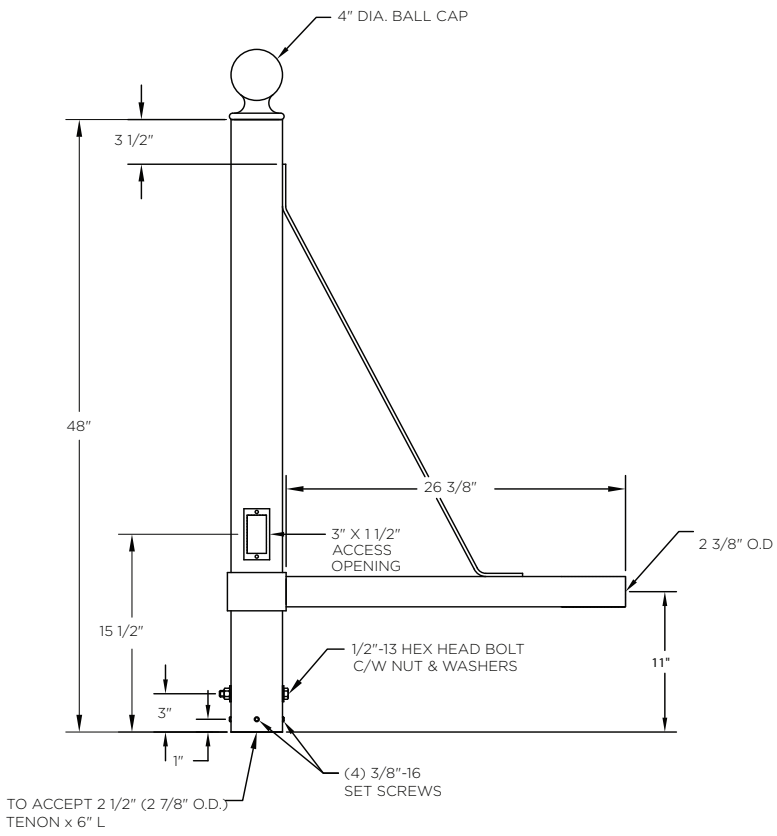


## EPA & WEIGHT

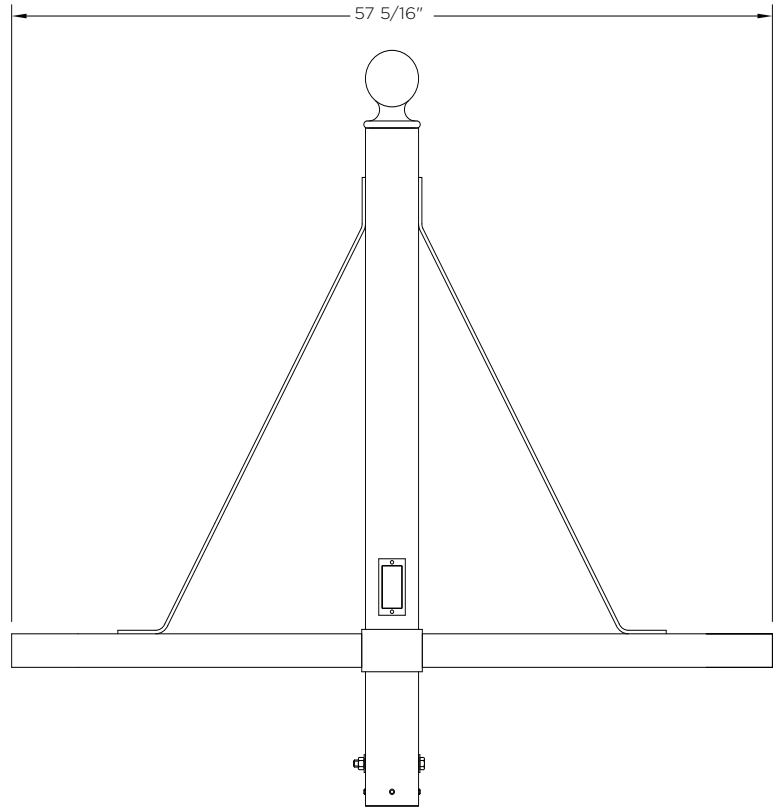
Catalog Number	Mount Type	# of Arms	L. (in)	EPA (sq ft)	Wt. (lbs)
KA54-A-T-1-FL	Tenon	1	26 3/8	2.10	28
KA54-A-T-2-FL	Tenon	2	26 3/8	2.63	33

# CONFIGURATION OPTIONS

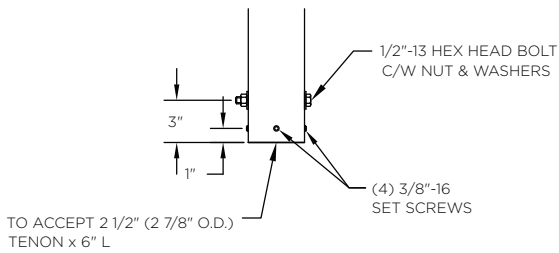
KA54 THE MARINA 3



Tenon Mount Single Arm



Tenon Mount Double Arm



Tenon Mount Details