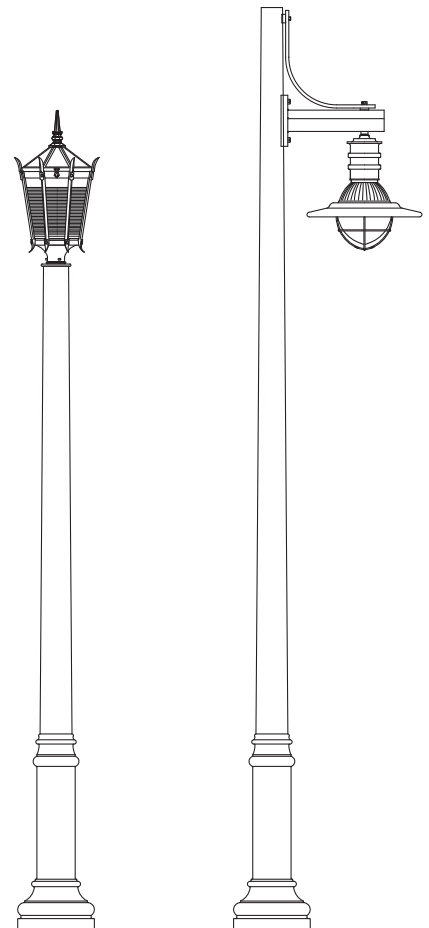


## THE CANTERBURY

While neither strictly traditional nor contemporary in appearance, the Canterbury family of spun concrete poles incorporates echoes of both and can be found on a wide spectrum of projects. The clean, classical lines of this design ensure that the Canterbury will be equally at home in residential subdivisions, city parks or commercial settings. Available in heights from 5' to 30', it is especially effective in downtown or waterfront relighting situations, adding ambience, while at the same time addressing both arterial and pedestrian lighting needs. Available with an etched finish in all of StressCrete's beautiful decor colors, the Canterbury will never fall short of expectations.



## Specification Details\*

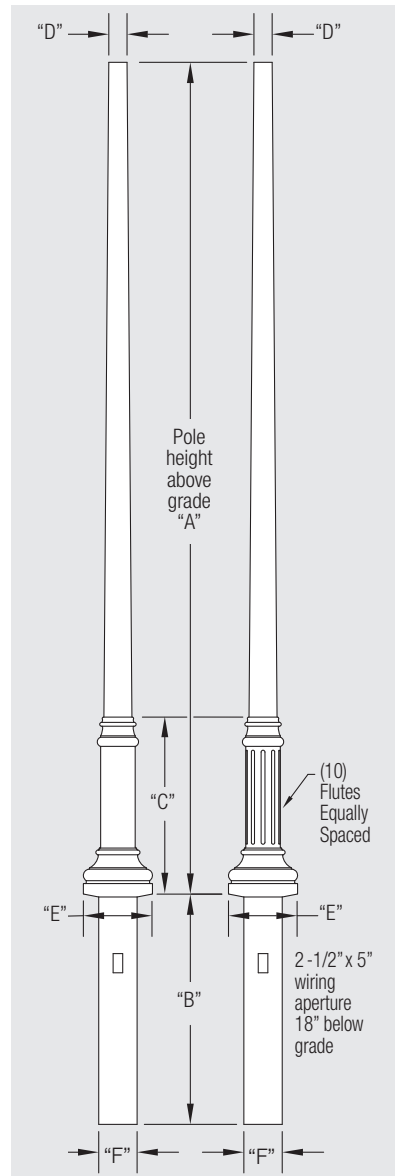
Description	Catalog Number	"A" Pole Height Above Grade	"D" Tip Dimension	"C" Stepped Section Height	"E" Flare	"B" Direct Burial Length & "F" Dia.	Pole Weight Direct Burial	Pole Weight Base Plate
Canterbury 10'	KYC10	10' 0"	6 1/8"	46"	18"	5' 0" x 10"	1000 lbs	795 lbs
Canterbury 13'	KYC13	13' 0"	5 5/8"	46"	18"	5' 0" x 10"	1040 lbs	835 lbs
Canterbury 15'	KYC15	15' 0"	5 1/4"	46"	18"	5' 0" x 10"	1100 lbs	895 lbs
Canterbury 18'	KYC18	18' 0"	4 3/4"	46"	18"	5' 0" x 10"	1170 lbs	965 lbs
Canterbury 20'	KYH20	20' 0"	6 3/4"	56"	22"	5' 0" x 12"	1925 lbs	1655 lbs
Canterbury 25'	KYH25	25' 0"	5 7/8"	56"	22"	5' 0" x 12"	2175 lbs	1905 lbs
Canterbury 30'	KYH30	30' 0"	5"	56"	22"	5' 0" x 12"	2425 lbs	2155 lbs

\* Bollard specification details can be found on our website

## How to Catalog for Canterbury Concrete Pole

Pole Style	Detail	Finish	Footing Details	Coating
KYC KYH	F – Fluted NF – Non Fluted	E – Etched Finish	DB – Direct Buried FBP – Flush Baseplate SBP – Stub Baseplate	NA – Non Acrylic A – Acrylic AG – Anti Graffiti Coating***
<b>KYH</b>	<b>F</b>	<b>E</b>	<b>DB</b>	<b>NA</b>
<b>Height</b> 5' - 30'		<b>Color**</b> 10 – Midnight Lace 11 – Eclipse Black 30 – Salt & Pepper 40 – Pearl Gray 90 – Saluki bronze	<b>Tenon (Post Top Mount)</b> Specify Tenon Size For example 140 30/30 = 2 7/8" OD & 3" long	<b>Options*</b> DR – Duplex Receptacle GFI – Ground Fault Duplex Receptacle SR – 1 Outlet LRN – Ladder Rest BPC – Base Plate Cover AB – Anchor Bolts BA – Banner Arms FH – Flag Holders

\* Consult website for full listings. \*\* See decor colors on page 2 for full selection of colors.  
\*\*\*Anti Graffiti Coating is extra, consult factory for more details.

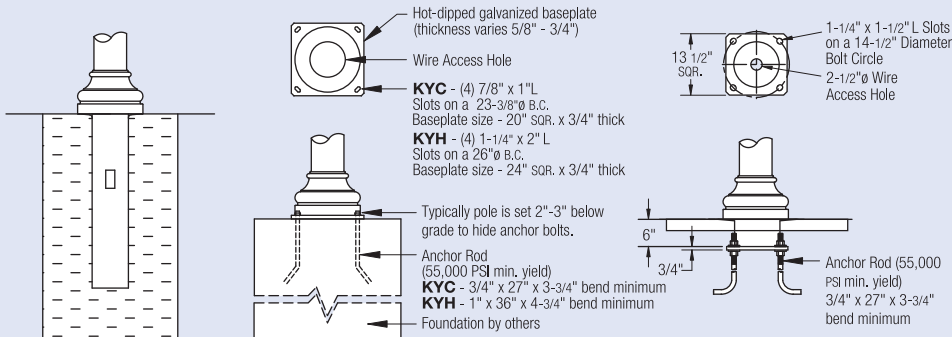


## Footing Details

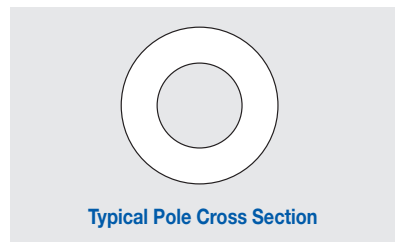
### Direct Buried

(Simple and Cost Effective)

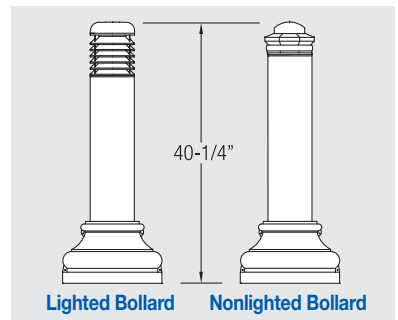
1. Auger the setting hole.
2. Set pole in hole and plumb straight.
3. Backfill\* with required backfill tamping every 4" to 6".



\*Generally the excavated material can be used for backfill, in some situations better backfill may be required.



Typical Pole Cross Section



Lighted Bollard Nonlighted Bollard