

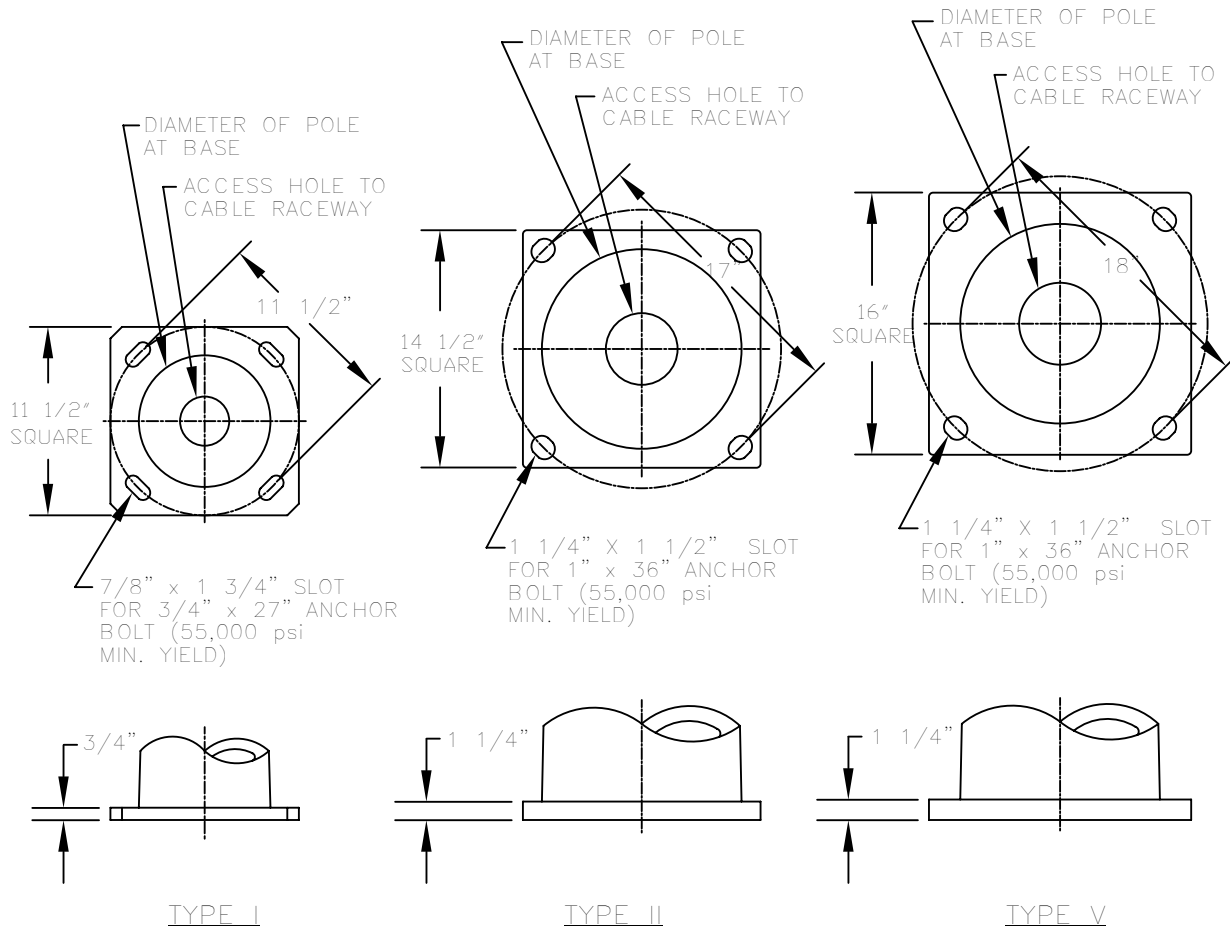
BASE PLATE MOUNTING

Spun Concrete Poles



Base Plate Mounting

As an industry, we recognize there are a few occasions when various design criteria dictate the use of base plates despite cost disadvantages. We would be pleased to discuss your requirements for this type of pole, based on our experience of past installations. Note, other bolt circle diameters available upon request.



TYPE I IS USED ON ROUND & TAPERED SQUARE POLES UP TO 20' IN LENGTH, HEXAGONAL UP TO 25' & OCTAGONAL UP TO 30'.

TYPE II IS AVAILABLE ON POLES UP TO 40' IN LENGTH ON ALL CROSS SECTIONS AS LONG AS THE POLE BUTT IS LESS THAN 14".

TYPE V IS AVAILABLE ON POLES OVER 40' IN LENGTH ON ALL CROSS SECTIONS WHERE THE POLE BUTT IS GREATER THAN 14".

